



STANDARD RANGE

35 & 50 Zoom Solutions — SIRIUS

February, 2023

SIRIUS : presentation

ZOOM SOLUTIONS IN \varnothing 35 & 50MM



SIRIUS35Z

This range is compatible with most brands of COB and High Power LED.



SIRIUS50Z

The range is compatible with most brands of COB including tunable white COB or cluster of High Power LED.

2 references

SIRIUS : Kit & set presentation



KSIRIUS35Z*

This kit offers different **holders** :

- KSIRIUS35Z1***: compatible with **Bender+Wirth**
- KSIRIUS35Z4***: compatible with **TE Connectivity**
- KSIRIUS35Z6***: compatible with **High Power LED**



SSIRIUS50Z*

The set offers **two different windows** :

- SSIRIUS50ZTW*** : Tunable white window
 - SSIRIUS50Z*** : Narrower window version
- SSIRIUS50Z* must be mounted on a LLH66B base to be compatible with B+W, TE, ...

KIT ≠ SET

SIRIUS35Z kit is in spare parts ≠ **SIRIUS50Z** set is assembled

KSIRIUS35Z* kit

The kit comes in spare parts with collimator, adjustable window, and holder with innovative rotation stop system.

SSIRIUS50Z* assembled set

The assembled set comes with collimator, adjustable window, and holder with innovative rotation stop system.

SIRIUS: LED specifications

LES size: **KSIRIUS35Z*** : LES up to 10 mm | Optimized for 4-6 mm
SSIRIUS50Z* : LES up to 13 mm | Optimized for 6-9 mm

LED type : High Power, Cluster High Power, Mid Power, Cluster Chip Scale Package, Chip Scale Package (CSP), Chip on Board (COB).

Type of Led	KSIRIUS35Z*	SSIRIUS50ZTW*	SSIRIUS50Z*
RGBW	✗	✗	✗
Tunable White	✓	✓	✗
Single chip	✓	✓	✓
Multi chip	✓	✓	✗
Chip on board	✓	✓	✓
Midpower	✓	✗	✗

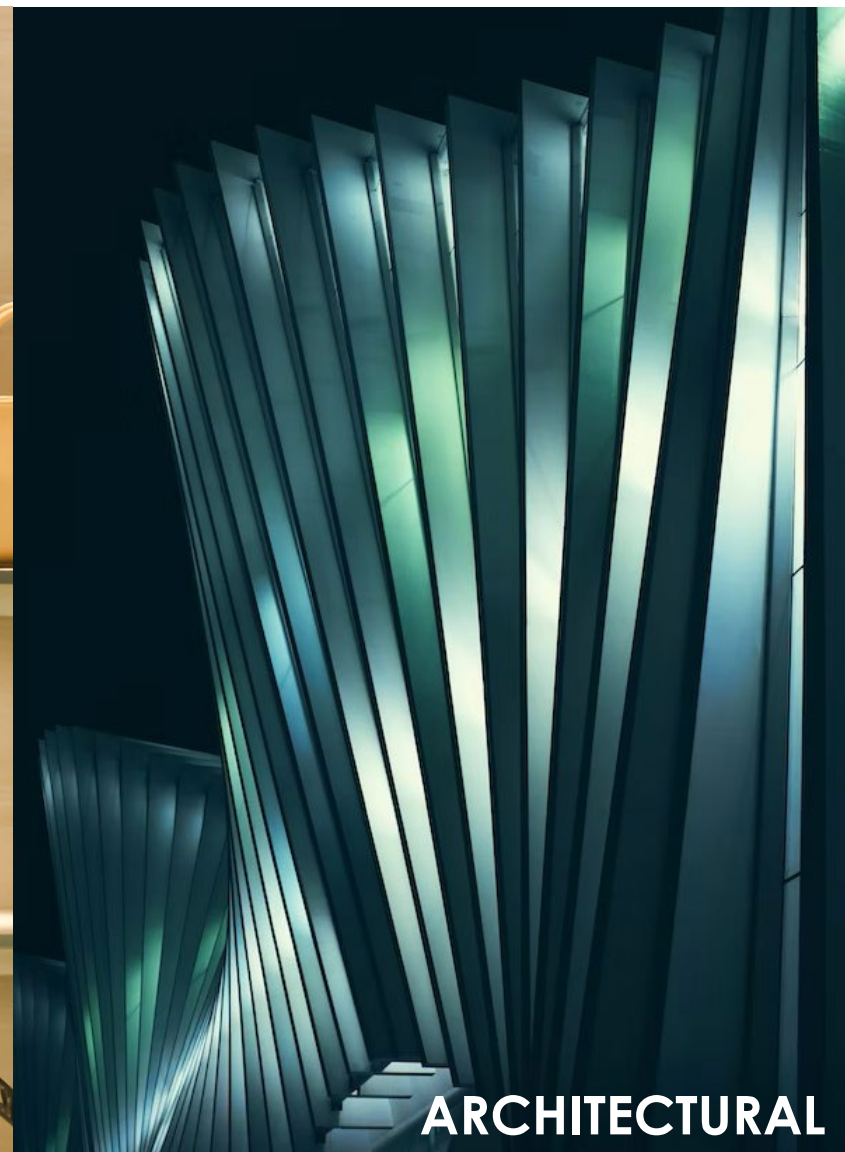
SIRIUS: applications



INDOOR



RETAIL



ARCHITECTURAL

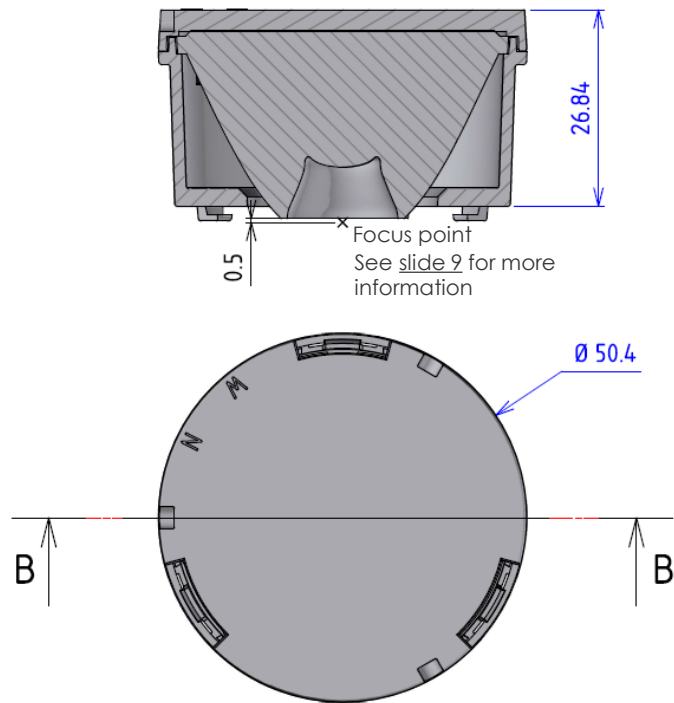
SIRIUS - 2D Schematics

All dimensions are in millimeters.

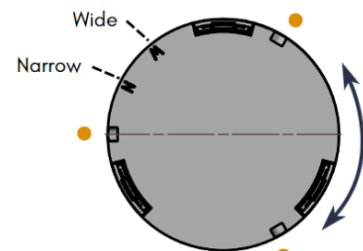
General tolerance +/- 0.1mm (standard NF T 58-000 cat. 4, reduced class).

SSIRIUS50Z*

B - B



For its assembly, SSIRIUS50Z* must be mounted on a base. It is compatible with all our [LLH66B*](#) bases.



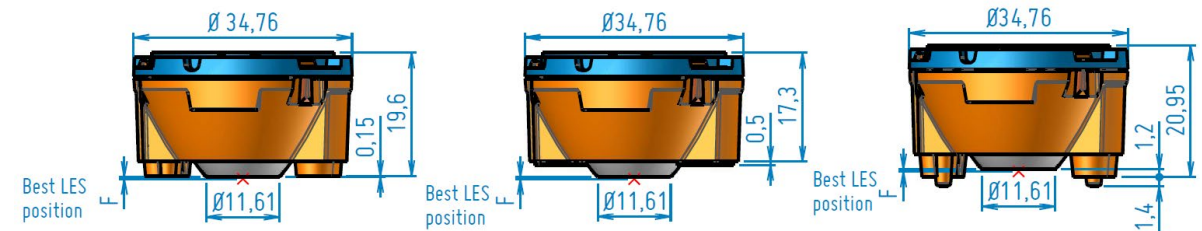
- Rotating window has 3 notches for easy integration to the luminaire

KSIRIUS35Z*

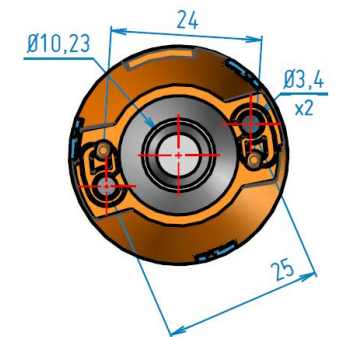
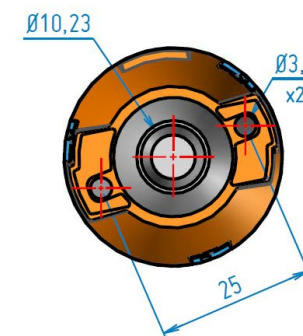
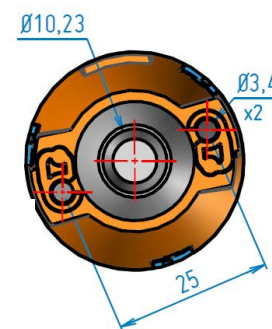
KSIRIUS35Z10 / KSIRIUS35Z12
KIT SIRIUS ZOOM 35 B+W

KSIRIUS35Z40 / KSIRIUS35Z42
KIT SIRIUS ZOOM 35 TE BJB

KSIRIUS35Z60 / KSIRIUS35Z62
KIT SIRIUS ZOOM 35 HIGH POWER



See [slide 9](#) for more information

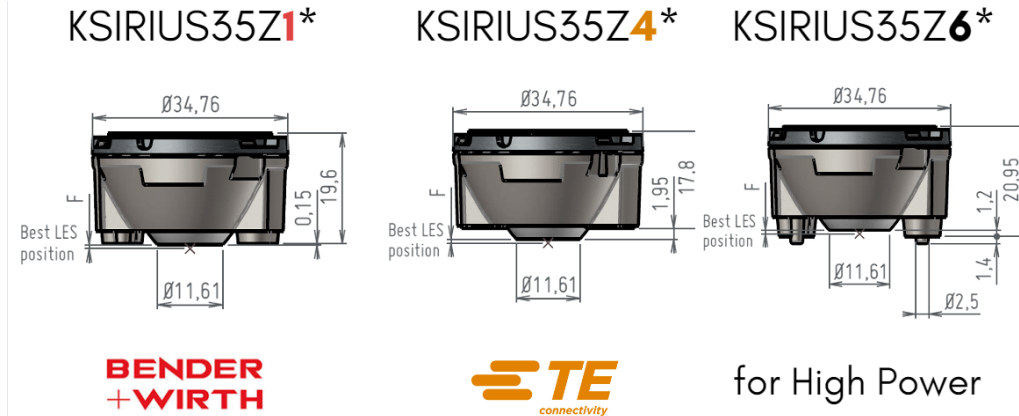


KSIRIUS35Z* is directly mounted into the COB holder or the PCB with screws (screw holes distance is 25mm).

KSIRIUS35Z* - Ø 35mm Zoom



The holder is also available in black



COMPATIBILITY MATRIX

	LUMINUS	CITIZEN	CREE	CREE
KSIRIUS35Z	CXM_3	CLU702	XHP35.2 HI	XHP50.3 HI
FWHM (°)	16.9 - 47	21.9 - 50.6	15.6 - 47.8	16.7 - 47.6
FWTM (°)	33.9 - 72.8	45.7 - 81.3	30.7 - 72.6	34 - 73.6
Efficacy (cd/lm)	6.8 - 1.4	3.7 - 1.1	7.5 - 1.3	6.4 - 1.3
CCI	0.4	0.8	0.6	1.4

Find more information and ask for samples on each product page :

KSIRIUS35Z1: SIRIUS35 kit compatible with **Bender+Wirth** | [KSIRIUS35Z10](#) – for clear holder / [KSIRIUS35Z12](#) – for black holder

KSIRIUS35Z4: SIRIUS35 kit compatible with **TE Connectivity** | [KSIRIUS35Z40](#) – for clear holder / [KSIRIUS35Z42](#) – for black holder

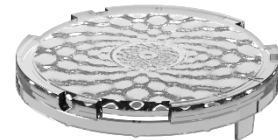
KSIRIUS35Z6: SIRIUS35 kit compatible with **High Power LED** | [KSIRIUS35Z60](#) – for clear holder / [KSIRIUS35Z62](#) – for black holder

SSIRIUS50Z* - Ø 50mm Zoom

Compatibility matrix



The holder is also available in black



TW - TUNABLE WHITE

SSIRIUS50ZTW*

	CITIZEN	CREE	LUMILED	CREE
	CLU702	CXB1520	CLUST. TW LUXZ	XHP50B
FWHM (°)	17.8 - 52.2	21.5 - 53	13.5 - 47.4	15.1 - 46.9
FWTM (°)	35.8 - 74.8	43.1 - 78.5	24.9 - 69.4	30.4 - 69.6
Efficacy (cd/lm)	6.6 - 1.2	4.2 - 1.1	15.9 - 1.9	9.3 - 1.5
CCI	0.7	1.1	2.2	0.8



NARROWER VERSION

SSIRIUS50Z*

	CITIZEN	CREE	BRIDGELUX	CREE
	CLU702	CXB1520	V4 HD BXRH	XHP50B
FWHM (°)	15.3 - 53.1	19 - 53.6	10.3 - 53.1*	10.6 - 48
FWTM (°)	32.4 - 73.9	40.6 - 77.7	20.7 - 72.1*	23 - 67.7
Efficacy (cd/lm)	8.2 - 1.2	5 - 1.1	18.9 - 1.2*	16.5 - 1.6

*Simulated result

Find more information and ask for samples on each product page :

SSIRIUS50ZTWO: SIRIUS50 set with a tunable white window and a clear holder

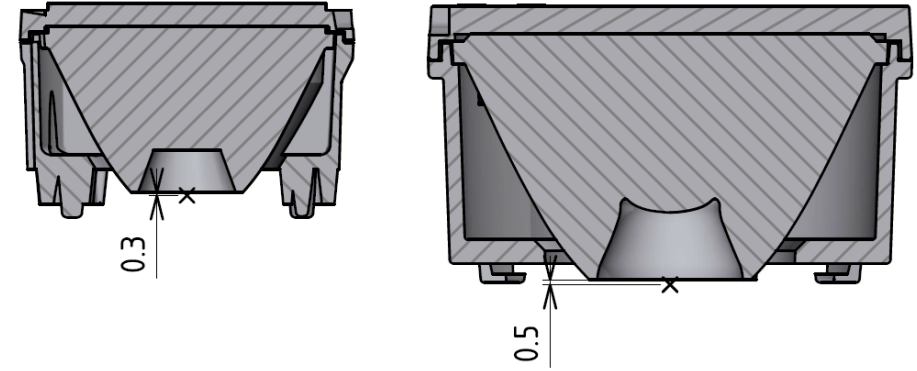
SSIRIUS50ZTW2: SIRIUS50 set with a tunable white window and a black holder

SSIRIUS50ZO: SIRIUS50 set with the narrower window and a clear holder

SSIRIUS50Z2: SIRIUS50 set with the narrower window and a black holder

SIRIUS : Best LES position

Achieving an optimal focus position of the lens is the key factor for a successful LED/Collimator integration. The best focus position will be achieved when matching the collimator's focus position with LED's Light Emission Surface position.



KSIRIUS35Z*

This range is directly mounted onto the COB holder or PCB with screws.

SIRIUS35Z focal distance : 0.3mm

SSIRIUS50Z*

A base is required to assemble the SSIRIUS50, these zoom solutions are compatible with all our LLH66B* bases.

SIRIUS50Z focal distance : 0.5mm

Base references and compatibility

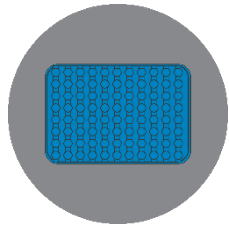
LLH66 base reference	Interface manufacturer	Manufacturer's compatible references
LLH66B10*	BENDER + WIRTH	4xx / Type Z1
LLH66B20*	bridgelux	Vero10 / Vero13 / Vero18
LLH66B310*	XICATO	XTM / XIM
LLH66B40*	TE connectivity	LUMAWISE Z32 / Z35
LLH66B50*	molex one company a world of innovation	180555-0002
LLH66B60*	Dedicated to PCB mounted high power LEDs	

SIRIUS: Packaging

KSIRIUS35Z*

KSIRIUS35Z* is a kit, it means you will receive it unassembled.

WINDOW



20 trays with
25 parts each



500 parts
Box: A15
30x20x20 mm
Weight: 2.176kg

COLLIMATOR

10 trays with
50 parts each

500 parts
Box: A13
387x283x170 mm
Weight: 5.26kg

HOLDER

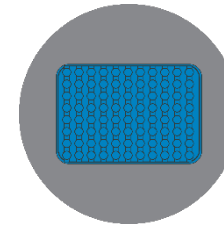
Bulk parts

500 parts
Box: A15
30x20x20 mm
Weight: 1.755kg

SSIRIUS50Z*

SSIRIUS50Z* is a set, it means you will receive it already assembled.

SET



6 thermoformed trays
with 35 parts each



210 parts
Box: A13 - 387x283x170 mm
Weight: 9.39 kg

Code form standard range

